

DYNAMIC FANS MARKETING PVT. LTD.

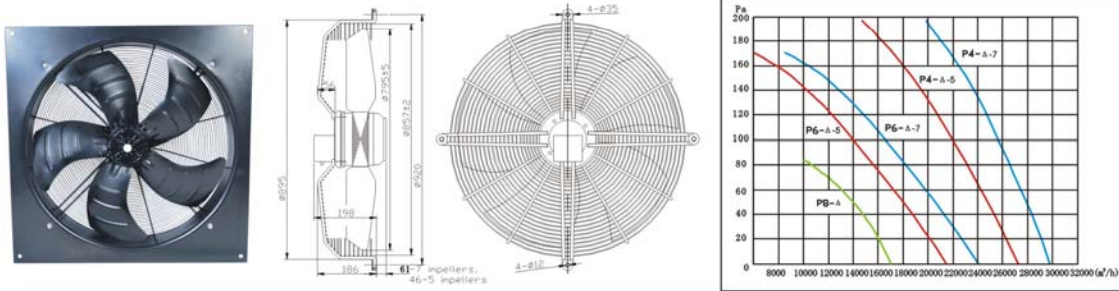
www.dynamicmarketing.in E-mail : vinod@dynamicmarketing.in / manish@dynamicmarketing.in

Technical Details for 800 mm and 900 mm Axial Fans



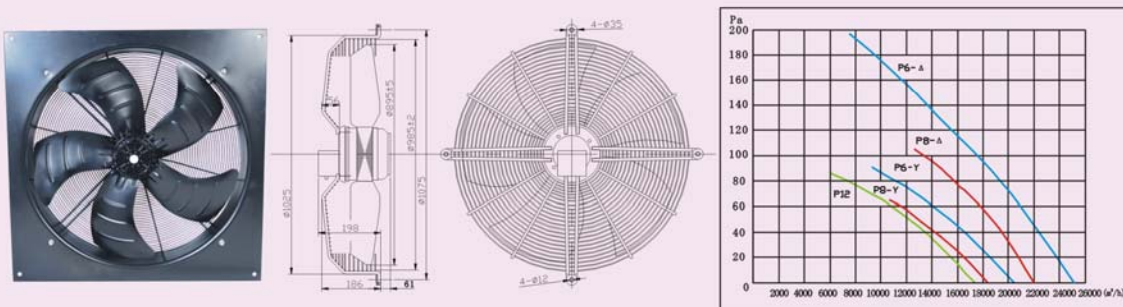
Professional / Honest / Human Oriented

Φ 800mm AXIAL FAN MOTOR



MODEL	VOLTAGE V	FREQUENCY Hz	CONNECT	AIR VOLUME m³/h	SPEED r/min	INPUT W	CURRENT A	NOISE dB(A)	IMPELLER PCS	NET kg
YSWF127L65P4 -5-920N-800	415	50	Δ	27200	1400	1600	3.2	88	5	28
			Y	23700	1200	1360	2.3	83		
YSWF127L80P6 -5-920N-800	415	50	Δ	24000	930	1400	3.4	84	5	31
			Y	20600	790	1120	2	78		
YSWF127L65P6 -5-920N-800	415	50	Δ	21500	920	1100	2.4	83	5	27
			Y	18000	750	850	1.5	76		
YSWF127L65P8 -5-920N-800	415	50	Δ	17200	680	650	1.5	75	5	27
			Y	13900	560	460	0.8	71		

Φ 900mm AXIAL FAN MOTOR



MODEL	VOLTAGE V	FREQUENCY Hz	CONNECT	AIR VOLUME m³/h	SPEED r/min	INPUT W	CURRENT A	NOISE dB(A)	IMPELLER PCS	NET kg
YSWF127L80P6 -5-1075N-900	415	50	Δ	25000	905	1600	3.5	85	5	33
			Y	20500	750	1180	2.1	79		
YSWF127L80P8 -7-1075N-900	415	50	Δ	22000	685	950	2.15	69	7	33
			Y	18500	560	660	1.15	77		
YSWF127L80P12 -7-1075N-900	415	50	Δ	17500	440	450	1.45	72	7	33